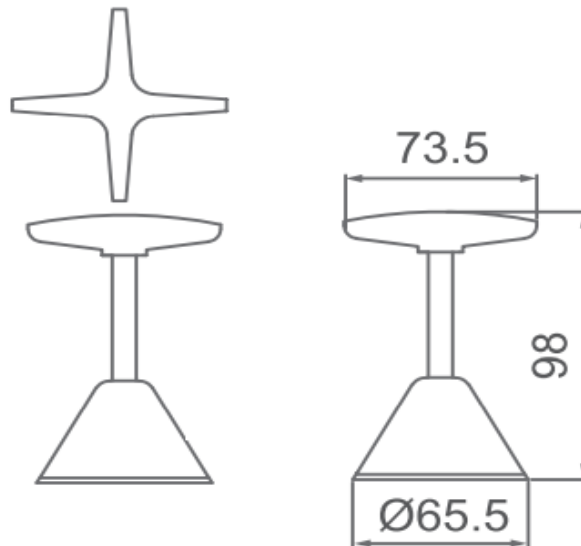


# SEA STAR WALL TOP ASSEMBLY



Chrome  
WT 253



## SPECIFICATIONS

### CLEANING & MAINTENANCE:

Tapware should be cleaned with mild detergent and water  
All Products must be cleaned with a soft cloth with soapy water, avoid waxes, solvents, abrasives, acids and other chemical based cleaners  
Warranty will be void if damages are caused by unsuitable cleaning products

### WARRANTY INFORMATION:

**25 years** cartridge and structure

**5 years** PVD finishes (purchased after 01/01/2026)

**1 year** non-PVD finishes

**1 year** parts & labour

**Note:** Hoses, slides, wall fixings, brackets: **1 year**

**ZENMO**  
Zen-inspired, Modern Living

**ADDRESS:** 42 Castro Way, Derrimut VIC 3026

**PHONE:** (03) 8390 6300

**OFFICE:** [ect\\_sales@outlook.com](mailto:ect_sales@outlook.com)

**SERVICE:** [ect\\_service@outlook.com](mailto:ect_service@outlook.com)

**WEBSITE:** [www.zenmo.com.au](http://www.zenmo.com.au)